



**.President: Gary W. Howard**  
**1<sup>st</sup>. V.P. Patrick Flader**  
**2<sup>nd</sup>. V.P. Joseph Sowa**  
**Treasurer: Michael Scherer**  
**Secretary: VACANT**

**Recording Secretary: VACANT**  
**Sergeant-At-Arms: VACANT**  
**Ex-Officio: Denis Riordan**

**July, 2023**

**PUBLISHED BY: GARY W. HOWARD**

**BOARD OF DIRECTORS**

**[AMERICAN SOCIETY OF SANITARY ENGINEERING ILLINOIS CHAPTER](#)**

**Brian Mazzocchi**  
**Kevin Sherlock**  
**Ray Ehrlich**  
**James F. Coyne**  
**Vince England**

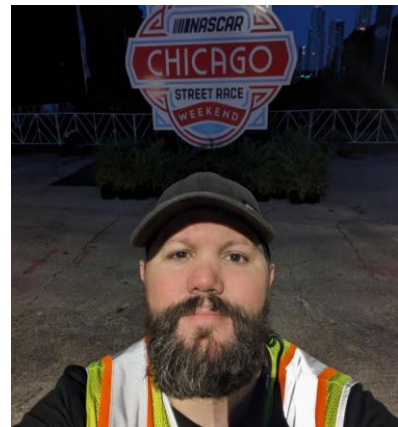
**John Flader**  
**Griff Gherke**  
**Mike Ponx**

**Happy Fourth of July to all, I hope you have a safe and delightful celebration with your loved ones.**  
**If you have a Veteran that lives close to you please be considerate when setting off loud noise fireworks. Veterans with Post-Traumatic Stress Disorder may be affected with these loud sounds. Remember some have emotional support dogs, which may get stressed out also.**





**Two of Chicago area finest help with the development and construction of the 75<sup>th</sup>. Year of the Nascar event in Chicago 2023. To the left is Daniel J. Howard and to the right is Joel V. Howard.**



*These are two of the sons of ASSE Illinois Chapter President Gary W. Howard of which he is very proud. Other venues they have worked on are: Special events at the White House, Easter Egg Roll at the White House Austin City Limits, Lollapalooza, Rib Fest Naperville, Entertainment at Rivers Casino, Obama acceptance speech Grant Park, Obama swearing in ceremony Washington D.C., Event/festival operations, Logistic Operation Manager, Site Manager/ Operations Coordinator, Carpentry Manager/Heavy Equipment Operator, Production Management, Music/ special events industry, NFL Draft Chicago, Nashville, Super Bowl 2022 Inglewood, California, Super Bowl 2023 Glendale Arizona, Voodoo Music Festival New Orleans, Supervisor EPS America throughout the U.S., Former member of Plumbers Local Union 130 UA.*

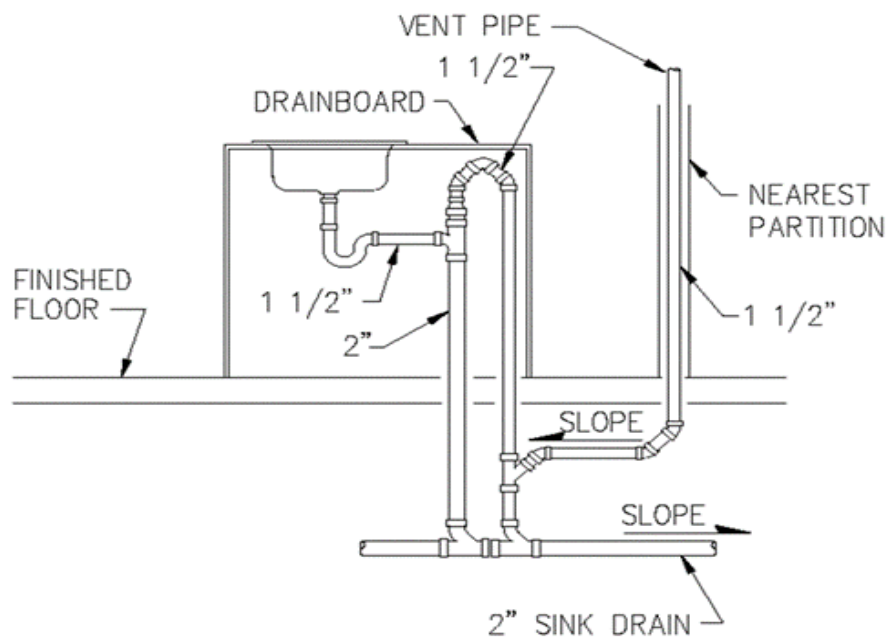
## **Residential Plumbing Code Questions State of Illinois Plumbing Code**

1. Who owns the Illinois Plumbing Code?
  - a. The Illinois Compiled Statute Department
  - b. The Illinois Department of Administrative Rule
  - c. The Joint Commission of Administrative Rule
  - d. The Illinois Department of Public Health Water Quality Plumbing Program
  
2. If you have a disagreement with the local code official. Can the State overrule the local code official's decisions?
  - a. Yes. the State Inspectors is a Certified Inspector for the State and can overrule the Local Inspector
  - b. No. The local code official is the Authority Having jurisdiction (AHJ). The State has no authority to overrule the AHJ.
  - c. Yes. The Local and State officials have an Inter-governmental Agreement That allows the State to overrule the local official.
  
3. When testing a rough in for a PVC DWV systems for leaks in a single family residence what is the suitable method to be in compliance with the Illinois Plumbing Code and Manufactures recommendations?
  - a. 15 psi of air pressure for 30 minutes
  - b. Smoke with 15 psi of air pressure for 15 minutes
  - c. A Hydrostatically water test for at least 15 minutes before the inspection with a 10 foot head pressure
  - d. A peppermint test
  
4. When Charlotte Schedule 40 PVC is buried what Standard should you follow?
  - a. ASTM F 1668
  - b. ASTM F 891-2010
  - c. ASTM F 1866-2007
  - d. ASTM D 2665-2012

5. Can you install your drain-tile either inside or outside against the footing? If yes give the code section. If no give the code section
  - a. Yes as long as it is not within the 45° plane of the footing
  - b. Yes because the drain-tile needs to be close to the footer to collect the storm water
  - c. No because the drain tile is not considered plumbing
  - d. No because the code tells you that you cannot install it that close to the footing
  
6. If you have a trap arm 4 feet in length, where shall you support the arm?
  - a. At each end of the arm
  - b. As close as possible to the trap
  - c. At the beginning of the arm
  - d. At the beginning and end of the arm
  
7. When installing a PVC DWV system and you are using the proper PVC J-hooks can you solvent weld the J –hook to the pipe to keep alignment?
  - a. Yes per manufactures specifications
  - b. Yes it will hold the pipe either level or plumb
  - c. No because the Primer and cement will weaken the J-hook
  - d. No because the expansion and contraction of the pipe will diminish
  
8. If you have 2" X 10 "floor Joist and you drill a 4" hole with the bottom of the hole at 3 inches above the bottom of the joist what may the building inspector required you to do?
  - a. Nothing
  - b. Reinforce the joist with the proper material

9. Can you use a side outlet drain to the P-trap on the installation a bathtub drain and overflow? If yes give the code section. If no give the code section
- Yes the manufactures states that it may be used in place of a conventional drain and overflow
  - Yes. It may be used in existing building only
  - Yes. It may be used when remodeling only
  - No. The waste shall be directly below tub overflow

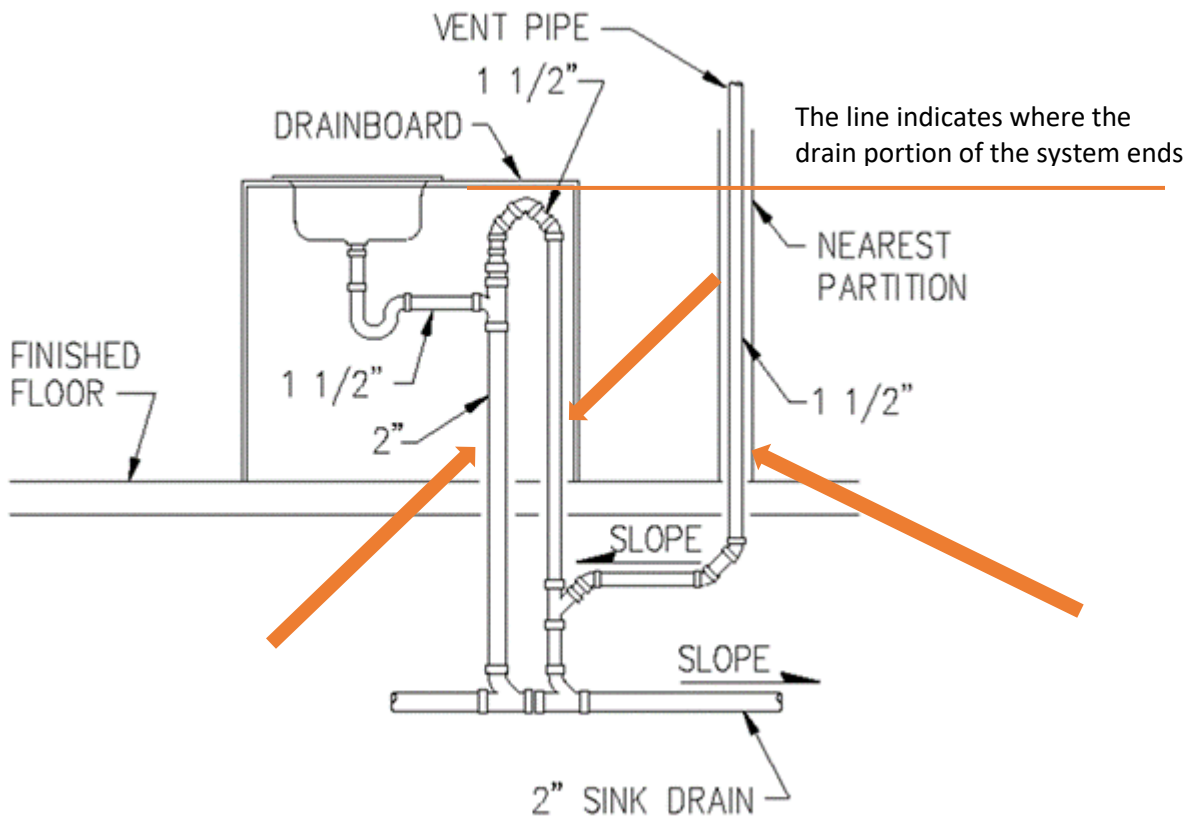
10. On the following drawing please indicate where you need cleanouts and why?



10.

The arrows below indicate where cleanouts should be. Why? Because all three of these are considered drains. And you cannot use the p-trap for a clean out per 890.430. There is more than one 90°.

In Addition to: 890.420 i) Cleanouts shall be of the same size as the pipe they serve up to a maximum of 6 inches, and at least 6 inches for larger pipe. The pipe being served is 2" and 1 1/2". The 2" and the 1 1/2" clean outs under the sink shall be a two way clean out



## ANSWERS FOR #1 THROUGH 9

1. D   2. B   3. C   4 Manufactures Recommendations  
5. D 890.180 e   6. B 890.930 a   7. D 890.910 a   8. B   9. 890.410 g 3

### “ Codes a plumber has to know”

ILLINOIS PLUMBING CODE

CHICAGO PLUMBING CODE

LOCAL AMENDMENTS TO THE STATE CODE

AMERICAN DISABILITY ACT

DEPARTMENT OF JUSTICE ARCHITECTURAL AND TRANSPORTATION

BARRIERS COMPLIANCE BOARD (ANERICANS WITH DISABILITIES ACT

ACCESSIBILITY GUIDELINES FOR BUILDINGS AND FACILITIES: CHILDREN’S  
FACILITIES)

ILLINOIS ACCESSABILITY CODE

UNITED STATES ACCESS BOARD INCLUSIONS

ILLINOIS ENERGY CONSERVATION CODE

INTERNATIONAL ENERGY CONSERVATION CODE

ILLINOIS PLUMBING LICENSING CODE

ILLINOIS PLUMBING LICENSING LAW

EMERGENCY ROOM DECONTAMINATION CODES

FREESTANDING EMERGENCY CENTER CODE

FIELD SANITATION CODE

MIGRANT LABOR CAMP CODE

WATER WELL CONSTRUCTION CODE

WATER WELL AND PUMP CODE

WATER WELL CONSTRUCTION CODE

WATER WELL INSTALLATION CODE

WATER WELL SEALING CODE  
RECREATIONAL AREA CODE  
YOUTH CAMP CODE  
AMBULATORY SURGERY CODE  
PEST CONTROL (PROTECTION OF POTABLE WATER SUPPLIES)  
SPECIFIC EXCAVATION REQUIREMENTS  
STORM DRAINS  
SWIMMING FACILITIES (INCLUDING SWIMMING POOLS AND  
RECREATIONAL AREAS)  
V.A. PLUMBING CODES  
ILLINOIS EQUITABLE RESTROOM ACT  
SOME CODES OF FEDERAL REGULATIONS  
DISINFECTING WATER SYSTEMS  
SEPTIC SYSTEMS  
ILLINOIS HOSPITAL LICENSING ACT  
DECONTAMINATION HOLDING TANK CODES  
ILLINOIS FOOD CODE  
FDA FOOD CODE  
SANITARY FOOD PREPERATION ACT  
ENVIRONMENTAL INFECTION CONTROL IN HEALTH-CARE FACILITIES  
MANUFACTURED HOME COMMUNITY CODE  
ILLINOIS RADON INSTALATION CODE  
ILLINOIS SCHOOL CODE  
LEAD SERVICE REPLACEMENT CODE  
MANUFACTURED HOME INSTALLATION CODE  
ABANDONED MOBILE HOME ACT  
ILLINOIS MODULAR DWELLING AND MOBILE STRUCTURE SAFETY ACT  
ILLINOIS MOBILE HOME PARK ACT  
REGULATION OF FACTORY BUILT STRUCTURES IN ILLINOIS  
DRINKING WATER SYSTEMS CODE  
LAWN IRRIGATION CONTRACTOR AND LAWN SPRINKLER SYSTEM  
REGISTRATION CODE  
(WATER AND SEWAGR) PUBLIC AREA SANITARY PRACTICE CODE



9FEMA0 DESIGN AND CONSTRUCTION GUIDANCE FOR COMMUNITY  
SAFE ROOMS

ICC STANDARD FOR THE DESIGN AND CONSTRUCTION OF STORM  
SHELTERS

ILLINOIS HUMAN RIGHTS ACT (PUBLIC ACCOMODATIONS)

HOSPITAL AND AMBULATORY CARE FACILITIES

LEAD IN DRINKING WATER IN SCHOOLS AND CARE FACILITIES

ILLINOIS VETERANS CARE FACILITIES

AMERICANS WITH DISABILITIES ACT AND ARCHITECTURAL BARRIERS

ACT ACCESSIBILITY GUIDELINES

SKILLED NURSING AND INTERMEDIATE CARE FACILITIES CODE

ASSISTED LIVING AND SHARED HOUSING ESTABLISHMENT CODE

WORKPLACE TRANSPARENCY ACT

SAFE BOTTLED WATER ACT

OSHA REQUIREMENTS THAT PERTAIN TO WATER AND SANITATION

MANUFACTURING, PROCESSING, PACKING OR HOLDING OF FOOD CODE

MANUFACTURES RECOMMENDATIONS FOR INSTALLING PLASTIC PIPES LIKE  
PVC, ABS ETC. UNDERGROUND

**IF YOU READ THE INSTALLATION OF PLASTIC PIPES FROM FRATCO OR  
CHARLOTTE AND YOU INSTALL IT PER THEIR DIRECTIONS YOU WILL FIND OUT  
IT IS WAY CHEAPER TO INSTALL CAST IRON UNDERGROUND**

**ASSE Illinois Chapter wishes to thank all of our sponsors for advertising in the monthly newsletter, which is sent to all the International Chapters of IAPMO/ASSE. We appreciate each and every one of you.**

## INTELLIGENT OIL DETECTION

The IntelliOil, an intelligent oil-sensing control system, is designed to help protect the environment and equipment from the dispersion of oil and hydrocarbons in elevator pit applications. Our complete system solutions for elevator pits and vaults include packaged pump systems. We can customize a complete package that is tailor-made to meet the unique specifications of each project.

### 1. STATUS INDICATORS

Lights indicate the system status and will continue to light even if the alarm is silenced.

### 2. AUDIBLE ALARM

Sounds the alarm to issues, such as the presence of oil in the pit and high water levels.

### 3. OIL SENSING PROBES

If probes lose contact with water (oil presence), the system turns off the pump to ensure no oil gets pumped out, and an audible alarm will sound to notify the presence of oil in the pit.

### 4. FLOAT SWITCH

As the water level rises and falls, the float switch will trigger the run of the pump.

## Typical Installation Diagram



(815) 886-9200 • METROPOLITANIND.COM

## Additional Information:

- 3 different models
  - 120V, 15A | 120V, 20A | 208/240V, 15A
- System status indicators and audible alarm
- Dry contact alerts for power loss, oil in pit and high water level
- Built in HOA selector and alarm silence button
- Combination oil probe/off float simplifies installation
- Can be integrated into three prepackaged models
- Can be custom designed for specific applications by utilizing the IntelliOil's circuitry



**NEW LINE  
ANNOUNCEMENT**



**Intellihot**

**NOW AVAILABLE  
FROM A  
DISTRIBUTOR  
NEAR YOU**

## WALL UNITS

Designed to be our commercial "workhorses," our wall hung units are ideal for highly variable applications using potable hot water. Each is engineered with minimal components to maximize durability.



## DROP IN READY



When space and cost are important deciding factors, you can count on our Neuron Series units for superior performance and reliability. Ideal for commercial applications, our tankless water heaters provide 94% thermal efficiency and are constructed for maximum durability.

## FLOOR-STANDING UNITS

Our iQ Series floor-standing units deliver the highest capacity in the industry – up to 3 million BTUs – with no storage tanks required. Designed for very large volume, commercial applications, these highinput units slash capital costs by up to 50%, and decrease operational costs by up to 40%, when compared to traditional tank-type systems.





# Plumbing Products

**MANUFACTURERS REPRESENTATIVES**  
7050 N. LEHIGH AVE. CHICAGO, IL 60646  
PHONE (773) 774-2800/FAX (773) 763-6534  
E-mail: sales@bornquist.com  
Website: www.bornquist.com



Pressure Boosters, Recirculation, Pumps, Heat Exchangers, Balancing Valves, Wastewater Pumps & Tanks



Stainless Steel Pumps, Wastewater Pumps and Controls



Plate & Frame, Boiler, Steam Indirect Domestic Water Heaters and ASME Tanks



Condensing Gas, Instantaneous Water Heaters, Indirect Steam & Boiler Domestic Water Heaters



Sump Pumps, Sewage Ejectors, Grinder Pumps, Chopper Pumps, and Packages



Flexible Hose Pump Connectors, Expansion Compensators, Wall Penetration Seals



Condensing Gas, Electric and Steam Commercial Domestic Water Heaters and ASME Storage Tanks



Commercial Domestic Water Heaters



Hydro-Pneumatic and Thermal Expansion Tanks



Water Heaters, Heat Pump Water Heaters, Packaged Products



Pressure Reducing Valves, Blending Valves and Float Valves



Leak Detection Monitoring Systems



Acid Drainline Systems & Acid Dilution Basins



Domestic Hot Water Thermostatic Mixing Valves



Indirect Domestic Water Heaters With Storage Tanks



Pressure Booster Systems



Commercial and Residential Evacuated Tube & Flat Plate Solar Collectors, Controls, and Accessories



Fiberglass Basins, Covers, and Triple Basins



Float Switches, Control Panels and Constant Pressure Controls



Thermometers & Gauges



Pete's Plug®



Your Plumbing Connection



1-833-PLUM-911

Licensed  
plumbing  
professionals  
serving all of  
Chicagoland



Available  
24/7

Licensed,  
bonded  
& insured

Ready to  
answer  
your call

Highly  
trained

Plumbers911Chicago.com

***In the spirit of friendship and cooperation, the Illinois Chapter of the American Society of Sanitary Engineering (ASSE) and the Plumbing Contractors Association of Greater Chicago (PCA) are both proud to represent and serve the skilled and dedicated professionals in our industry. To make up for a few advertisements that were missed in recent issues due to an unintentional oversight, our ASSE Chapter is pleased to run this expanded version of the PCA's ad.***



### ***PCA of Greater Chicago***

**Advocacy and support you can count on.**

The *Plumbing Contractors Association* (PCA) represents and serves UA Local 130 signatory plumbing contractors in Chicago and Northern Illinois (17 counties) with quality resources, education, advocacy, safety, networking, and much more – led by a dedicated volunteer contractor board and a full-time staff.

The PCA (and *Plumbing Council*) provides our members with an array of practical services and benefits, so contractors can focus on best serving their customers. Since 1882, the PCA has shown that “none of us is as strong as all of us.” As the only local plumbing contractors’ association affiliated with and active in the National and State PHCC; MCAA; IMSCA; CISCO; and UAC, the PCA is a united voice for our industry.

Contactors and consumers (for “Find a Plumber” referrals) may visit: [www.pcaofchicago.com](http://www.pcaofchicago.com); phone 312-563-9526; or email: [sj@pcaofchicago.com](mailto:sj@pcaofchicago.com). PCA: 603 Rogers Street, Suite 2, Downers Grove IL 60515

**DIGITAL SOLUTIONS  
FOR HEALTHY HOT WATER.**



- Simplifies your hot water system by eliminating the need for compensating system components required with a mechanical thermostatic mixing valve
- Delivers temperature control within 2 degrees
- Communicates temperature alerts to most building automation systems
- An essential component to a successful water management program



armstronginternational.com



Call today: (800) 424-5392  
affiliatedsteam.com

*If any member wishes to have anything published in the newsletter please forward it to me [ilchapterasse@gmail.com](mailto:ilchapterasse@gmail.com) with exception of an ad, if you wish to have an ad please contact Joe Sowa at [retaw130@aol.com](mailto:retaw130@aol.com).*

*We would be happy to print your story in our newsletter, whether it be about your Military, family member attending college, anniversary, accomplishments, projects you are or have worked on, etc. pictures are always welcome.*



Brian Mazzocchi, CPMR  
President  
[brian@repcoassociates.com](mailto:brian@repcoassociates.com)  
C: 847-830-4425m

O. 630-932-9900  
1775 W. Armitage Court  
Addison, IL 60101  
[repcoassociates.com](http://repcoassociates.com)



**MID-CONTINENT**



**VINCE ENGLAND**  
PRESIDENT

(630) 327-1192  
(630) 953-1211

[vengland@mcmsl.com](mailto:vengland@mcmsl.com)  
**MCMSL.COM**

1275 LAKESIDE DR  
ROMEOVILLE, IL 60446

**A TRUSTED GLOBAL LEADER IN  
DIGITAL HOT WATER INNOVATION**

Call Today!  
(800)  
424-5392



**The Armstrong Brain<sup>®</sup>  
is the world's first digital  
recirculating valve!**

- Engineered exclusively for recirculating hot-water systems
- Simplifies your hot water system by eliminating the need for compensating system components required with a mechanical thermostatic mixing valve
- Delivers temperature control within 2 degrees
- Communicates with most building automation systems
- Available with Programmable Temperature Alerts
- Also available with a Thermal Disinfection Program



armstronginternational.com



affiliatedsteam.com

The PCA Greater Chicago represents and promotes UA Local 130 signatory plumbing contractor in Northern IL. (17 counties) with top quality service, education, advocacy, safety and peer to peer networking second to none. The PCA is the only local plumbing contractor association affiliated with the MCAA, PHCC, CISCO, & IMSCA. To find and hire one of our reputable contractors for 24 hr. emergency service or for residential, commercial, municipal and industrial jobs, call 1-800-76-VALVE or visit [pcaofgreaterchicago.org](http://pcaofgreaterchicago.org) or [plumbingcouncil.org](http://plumbingcouncil.org) 603 Roger St. Ste. 2 Downers Grove IL 60515 312-503-9526



**Advanced Placement**

We do our homework when we design solid-surface sink systems. That's why they are a perfect choice for modern school washrooms.

Above-deck access for easy maintenance

Our sinks earn top marks at the best schools

**SLOAN.**  
www.sloanvalve.com

**Viega system solutions**  
Multiple materials, many solutions  
One provider

Meeting and exceeding industry standards with every installation

With three decades in building construction, Viega systems can be used in any commercial or industrial sector. From mobile fire water systems, sprinklers, fire pumps, fire hydrants, to water and gas distribution, all the requirements can be met or exceeded. Viega's reputation for quality is well known. Our products are made of metal in the USA with Viega products that include the "Smart Connect" feature, allowing installers to easily identify undamaged connections during pressure testing.

For more information, call 800-976-9819 or visit [www.viega.us](http://www.viega.us)

**viega**

**PJF**  
Plumbing & Heating Co.

Lic # 058-157611  
CCCDI # XC2894

700 E. Park Avenue  
Libertyville, Illinois 60048  
Phone 224-338-0073  
Cell 847-970-8774  
Fax 847-201-8255

**PATRICK J. FLADER**  
pat@PJFPlumbing.com  
[www.PJFPlumbing.com](http://www.PJFPlumbing.com)

**HSA**  
Herkowski Stickler & Associates

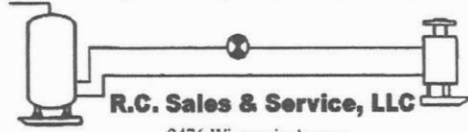
**Joe Herkowski**  
Herkowski Stickler & Associates

340 S. Lombard, Addison, IL 60101  
Office 630.458.8816 Mobile 414.573.4515 Fax 630.458.9015  
[joeh@hsarep.com](mailto:joeh@hsarep.com) [www.hsarep.com](http://www.hsarep.com)





Manufacturers' Representative - Consultant



**R.C. Sales & Service, LLC**

2476 Wisconsin Avenue  
Downers Grove, IL 60515

Ronald Carter  
Michael Dore  
George Pagach

(877) 598-1233  
TOLL FREE

Fax (877) 598-1244  
TOLL FREE

RCSALES@HOTWATER.COM

**Advertise Here**



**Let's get it done right the first time!!**



**Michael Ponx**  
Commercial Sales Manager  
mponx@metropolitanind.com

**Metropolitan Industries, Inc.**

37 Forestwood Drive, Romeoville, Illinois 60446-1343  
Phone: (815) 886-9200 Ext: 265 • Outside Illinois: (800) 323-1665  
Fax: (815) 886-6932 • www.metropolitanind.com

ENGINEERING • MANUFACTURING • SERVICE • DISTRIBUTION



325 EISENHOWER LANE NORTH LOMBARD, IL 60148  
TELEPHONE (630) 261-1166 FAX (630) 261-1818  
info@htareps.com www.htareps.com

**Representing**

Zoeller Pump Company  
Mansfield Plumbing Products  
Sioux Chief  
Lenox Tools  
Irwin Tools  
Prier Products

Blanco  
AK Industries  
Magic Plastics  
Plastic Trends  
Ohio Electric Controls  
Ideal Tridon



**JASON HERBER**

1207 Bitter Road, Suite 103  
Aurora, IL 60502  
Email: jherber@victaulic.com

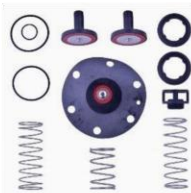
Cell: 630/816-0777  
Fax: 630/585-7043  
Cust. Serv.: 800/742-5842



**COLUMBIA PIPE & SUPPLY CO.**  
SERVICE *plus* SOLUTIONS

**Daniel T. Arenberg**  
Vice President Sales  
1120 W. Pershing Road  
Chicago, IL 60609  
773-843-5817  
darenberg@columbiapipe.com

PIPE • VALVES • FITTINGS • PLUMBING • HYDRONICS • HVAC



**RK 34-975XLC**  
Repair Kit for ¾"-1" 975XL

**Kit Includes:** (2) Check Poppet, 1<sup>st</sup> Check Spring, 2<sup>nd</sup> Check Spring, Relief Valve Spring, (2) Check Seat, (2) Check Seat O-Ring, Relieve Valve Seat, Relief Valve Seat O-Ring, Lube

**Ames 7010046** – 2 ½"-10" Total Relief Valve Kit for a C/M 400/C500

**Kit Includes:** Complete RV with 36" Hose, RV O-Ring and Lube



**Ames 7010097** – First Check Assembly 2 ½"-4" for Ames 2000/3000SS

**Kit Includes:** 1<sup>st</sup> Check Assembly, O-Ring and Lube

**Ames 7010114** –Relief Valve Kit 2 ½" -10" for 4000SS RP and 5000SS RPDA

**Kit Includes:** Complete Relief Valve Assembly, Relief Valve O-Ring, Lube

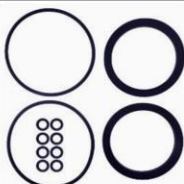


**Watts: 0794090** – Complete Total Rubber Kit 4" for 909 RP; \*Lead Free\* (Previously 0887751)

**Kit Includes:** Check Disc, Cover O-Ring, Sleeve O-Ring, Piston O-Ring, RV Disc Assembly, Diaphragm, Piston

**RK 4-350**  
4" 350AST, 4" 375AST

**Kit Includes:** (2) Check Disc Rubber, (2) Cover O-Ring, (8) Bolt O-Ring, Lube



**Apollo-Conbraco: 40-004-A1** – ¾"-1" Major Repair Kit for 40-200 RP

**Kit Includes:** RV Bushing, RV Stem, Diaphragm Plate, (2) Poppet, RV Diaphragm, RV Seat Disc, (2) Check Seat Disc, Stem O-Ring, Bushing O-Ring, (2) Check Cap O-Ring, RV Spring, (2) Screw, (2) Retaining washier, (2) Check Seat, (2) O-Rings, RV Seat, RV O-Ring



Backflow Made Easy\* @ [SHOPBACKFLOW.COM/IL](http://SHOPBACKFLOW.COM/IL)

**Test Gauge, Inc. has Backflow Parts in stock for Same Day Pickup or Next Day Delivery!**



Shop Online at

[www.Shopbackflow.com/il](http://www.Shopbackflow.com/il)

Or call one of our Experts today

Toll Free: (866) 836-8692

Local: (847) 836-8692

[salesgroup@testgauge.net](mailto:salesgroup@testgauge.net)



Find Class Dates or Register online at  
[www.shopbackflow.com/il/training](http://www.shopbackflow.com/il/training)



CEU Registration Form 2020

Name: \_\_\_\_\_

IL PL# (Starts with 058 or J): \_\_\_\_\_

Email: \_\_\_\_\_

Billing Address: \_\_\_\_\_

City: \_\_\_\_\_ State: \_\_\_\_\_ Zip: \_\_\_\_\_

Credit Card Number: \_\_\_\_\_

Expiration Date: \_\_\_\_\_ / \_\_\_\_\_ CCV: \_\_\_\_\_

Please CHECK which class you would like to attend:

\*\*All classes will be from 5pm – 9pm with Dinner included\*\*

BACKFLOW REPAIR COURSE \$85

This course is focused on refreshing the Cross Connection Tester on testing procedures as well as hands on repairs for approved assemblies for the state of Illinois. During this class we will be going over our NEW mechanical wall, show you how water pressure fluctuations affect backflow assemblies, how to remedy the situation and be able to see it in a live setting. Also new this year is the Flood Control Integrated System by Wilkins; this system can be designed to shut off a specific water line when a backflow goes into a full dump situation.

- |  |  |   |
|--|--|---|
| <input type="checkbox"/> Thursday, January 16 <sup>th</sup>  | <input type="checkbox"/> Thursday, February 27 <sup>th</sup> | <input type="checkbox"/> Thursday, April 2 <sup>nd</sup>  |
| <input type="checkbox"/> Thursday, January 30 <sup>th</sup>  | <input type="checkbox"/> Tuesday, March 3 <sup>rd</sup>      | <input type="checkbox"/> Thursday, April 16 <sup>th</sup> |
| <input type="checkbox"/> Thursday, February 13 <sup>th</sup> | <input type="checkbox"/> Tuesday, March 17 <sup>th</sup>     | <input type="checkbox"/> Thursday, April 30 <sup>th</sup> |

**NEW!!** LARGE BACKFLOW REPAIR (SMALL GROUP) - Max 12 attendees per class \$125 per person

Small group backflow repair class. Classes will consist of 3 individual groups working with an individual instructor to do hands on testing, diagnosis, and repair of large backflow assemblies only. The repair class will involve repairing of the following backflow assemblies:

- 4" Febco 825YD                      • 3" Watts 009                      • 4" Wilkins 375AST
- 4" Ames 4000SS                    • 8" Ames Maxim 400              • 3" Watts 909

- |  |   |   |
|--|---|---|
| <input type="checkbox"/> Tuesday, January 21 <sup>st</sup> | <input type="checkbox"/> Tuesday, February 18 <sup>th</sup> | <input type="checkbox"/> Thursday, March 26 <sup>th</sup> |
| <input type="checkbox"/> Tuesday, February 4 <sup>th</sup> | <input type="checkbox"/> Thursday, March 12 <sup>th</sup>   | <input type="checkbox"/> Tuesday, April 7 <sup>th</sup>   |
|  |   | <input type="checkbox"/> Tuesday, April 21 <sup>st</sup>  |

Location: Test Gauge, Inc. | 1051 E Main St, Unit 107 | East Dundee, IL 60118

Toll Free: (866) 836-8692 | Local: (847) 836-8690 | Email: [salesgroup@testgauge.net](mailto:salesgroup@testgauge.net)



COLUMBIA PIPE & SUPPLY CO.  
SERVICE *plus* SOLUTIONS

For four decades, Columbia Pipe & Supply Co. has partnered with Charlotte Pipe & Foundry Co. and TJ Higgins Co. providing the finest cast iron and plastic piping systems to the Illinois and Northwest Indiana markets

**CHARLOTTE**  
PIPE AND FOUNDRY COMPANY



Columbia Pipe serves Plumbing Professionals with over 130,000 products, local availability, delivery to your location and many value added services.

Visit us at [www.columbiapipe.com](http://www.columbiapipe.com) or any of our local branches in **Chicago, Rockford, Rockdale, Decatur, East Peoria, Gurnee, Hanover Park or Hammond, Indiana.**



COLUMBIAPIPE.COM