

# Horizontal Wet Venting a Bathroom Group

*Plumbing Systems Interactive*  
**2021 Uniform Plumbing Code**



# Wet Venting

---

## *908.2 Horizontal Wet Venting for a Bathroom Group*



# Horizontal Wet Venting for a Bathroom Group

## 908.2

- A bathroom group located on the same floor level shall be permitted to be vented by a horizontal wet vent where all of the conditions of Section 908.2.1 through Section 908.2.5 are met.
- **Definition – Bathroom Group**
- Any combination of fixtures, not to exceed one water closet, two lavatories, either one bathtub or one combination bath/shower, and one shower, and may include a bidet and an emergency floor drain.
- **418.3 – Location of Floor Drains**

Toilet Rooms, Commercial Kitchens, Laundry Room, Boiler Rooms

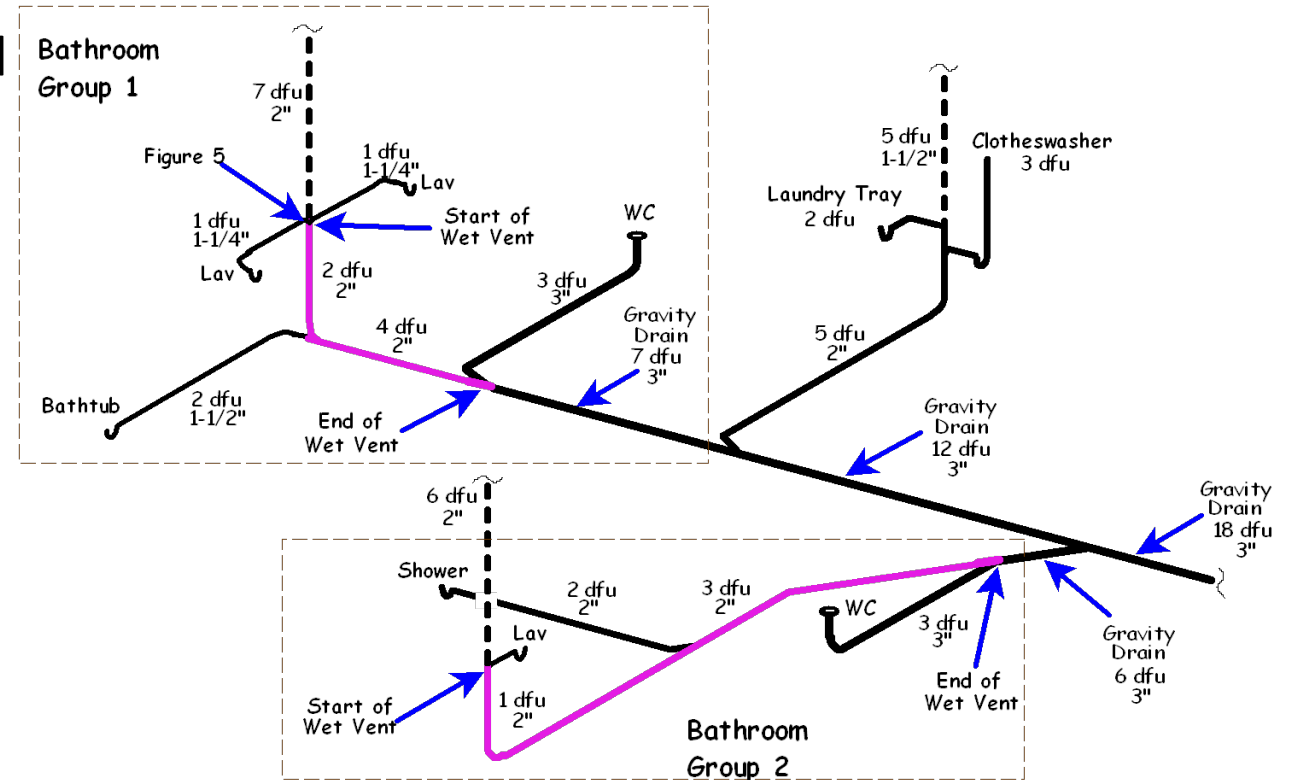


FIGURE 908.2A

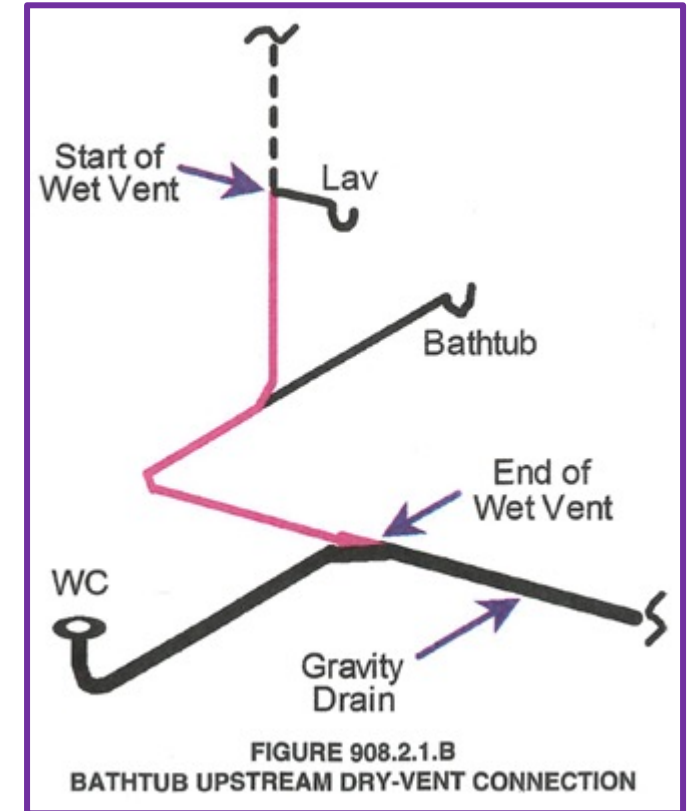
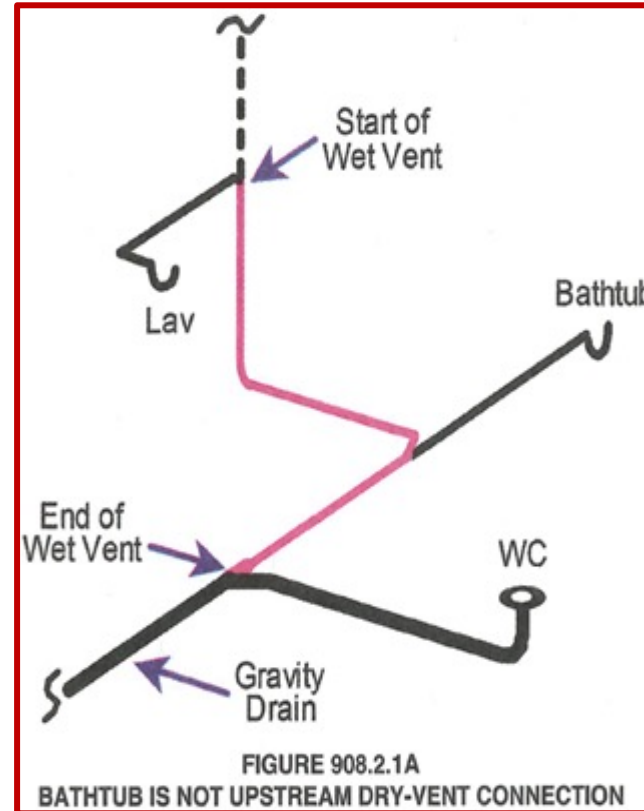
Lateral Connections to the Horizontal Wet Vent



# Horizontal Wet Venting for a Bathroom Group

## 908.2.1 Vent Connection

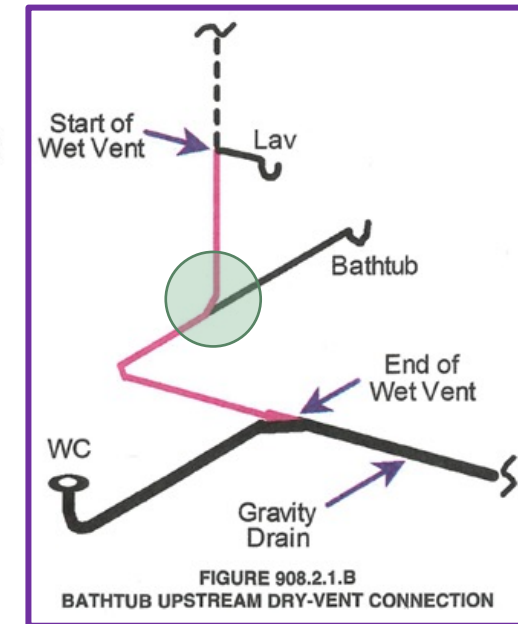
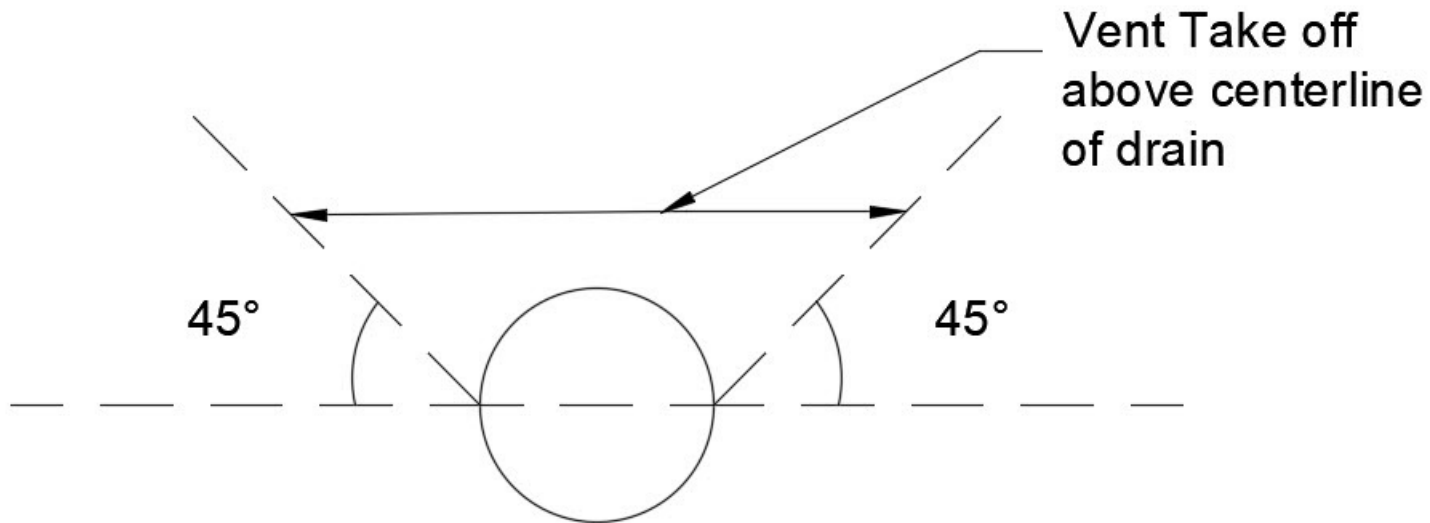
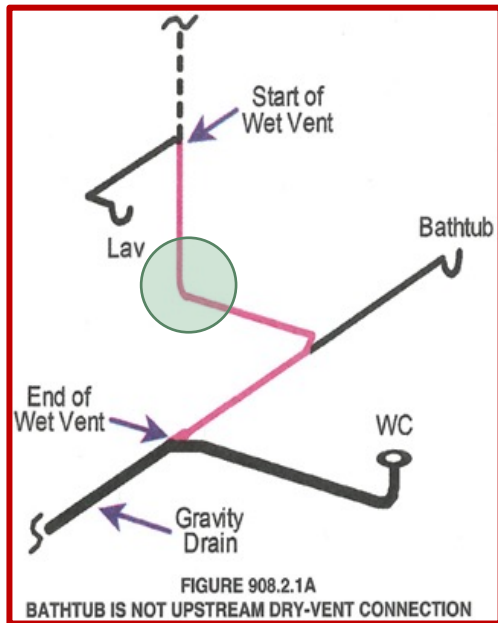
The dry vent connection to the wet vent shall be an individual vent for the bidet, shower, or bathtub. One or two vented lavatory(s) shall be permitted to serve as a wet vent for a bathroom group. Only one wet-vented fixture drain or trap arm shall discharge upstream of the dry-vented fixture drain connection. Dry vent connections to the horizontal wet vent shall be in accordance with Section 905.2 and Section 905.3.



# Horizontal Wet Venting for a Bathroom Group

## 905.2 Horizontal Drainage Pipe

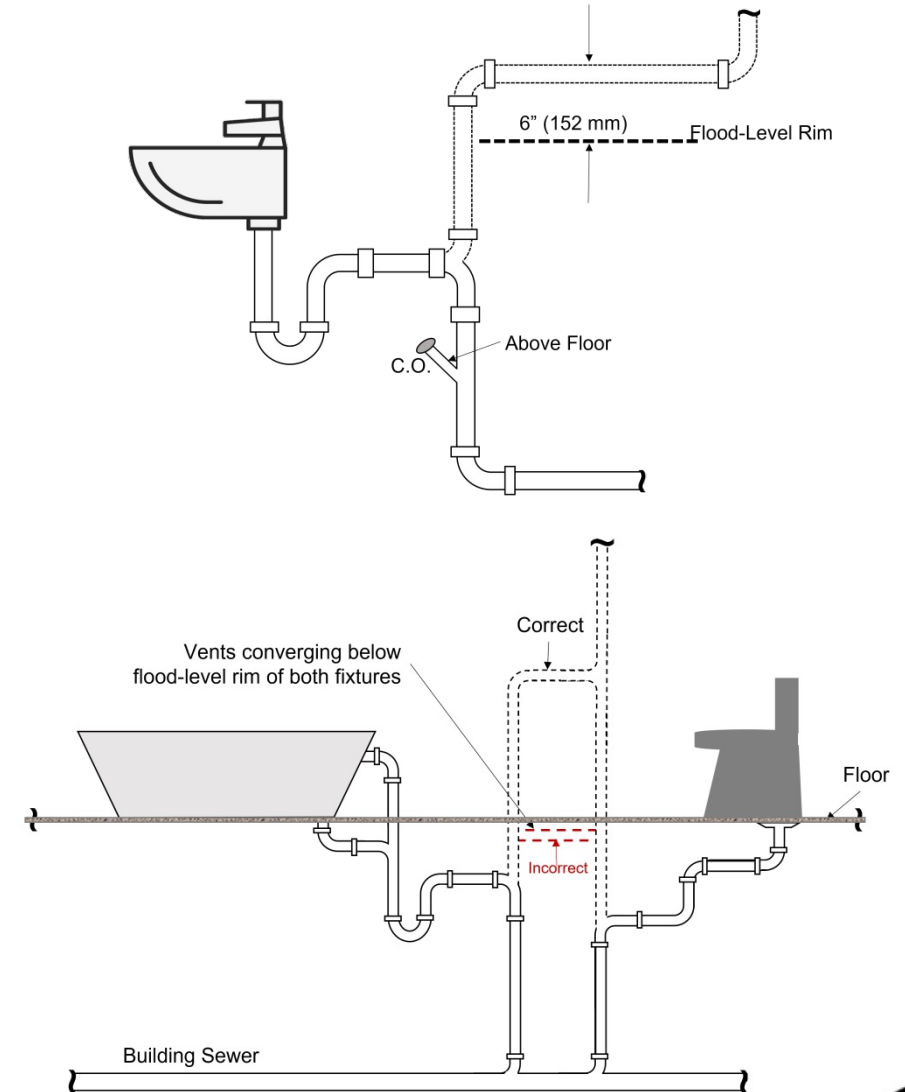
Where vents connect to a horizontal drainage pipe, each vent pipe shall have its invert taken off above the drainage centerline of such pipe downstream of the trap being served.



# Horizontal Wet Venting for a Bathroom Group

## 905.3 Vent Pipe Rise

Unless prohibited by structural conditions, each vent shall rise vertically to a point not less than 6 inches above the flood-level rim of the fixture served before offsetting horizontally, and where two or more vent pipes converge, each such vent pipe shall rise to a point not less than 6 inches in height above the flood-level rim of the plumbing fixture it serves before being connected to any other vent. Vents less than 6 inches above the flood-level rim of the fixture shall be installed with approved drainage fittings, material, and grade to the drain.



# Horizontal Wet Venting for a Bathroom Group

## 908.2.2 Size

The wet vent shall be sized based on the fixture unit discharge into the wet vent. The wet vent shall be not less than 2 inches in diameter for 4 drainage fixture units (DFU) or less, and not less than 3 inches in diameter for 5 DFU or more. The dry vent shall be sized in accordance with Table 702.1 and Table 703.2 based on the total fixture unit discharging into the wet vent.

TABLE 702.1  
DRAINAGE FIXTURE UNIT VALUES (DFU)

PLUMBING APPLIANCES, APPURTENANCES, OR FIXTURES	MINIMUM SIZE TRAP AND TRAP ARM <sup>7</sup> (Inches)	PRIVATE	PUBLIC	ASSEMBLY <sup>8</sup>

TABLE 703.2  
MAXIMUM UNIT LOADING AND MAXIMUM LENGTH OF DRAINAGE AND VENT PIPING

SIZE OF PIPE (Inches)	1/4	1/2	2	3	4	5	6	8	10	12

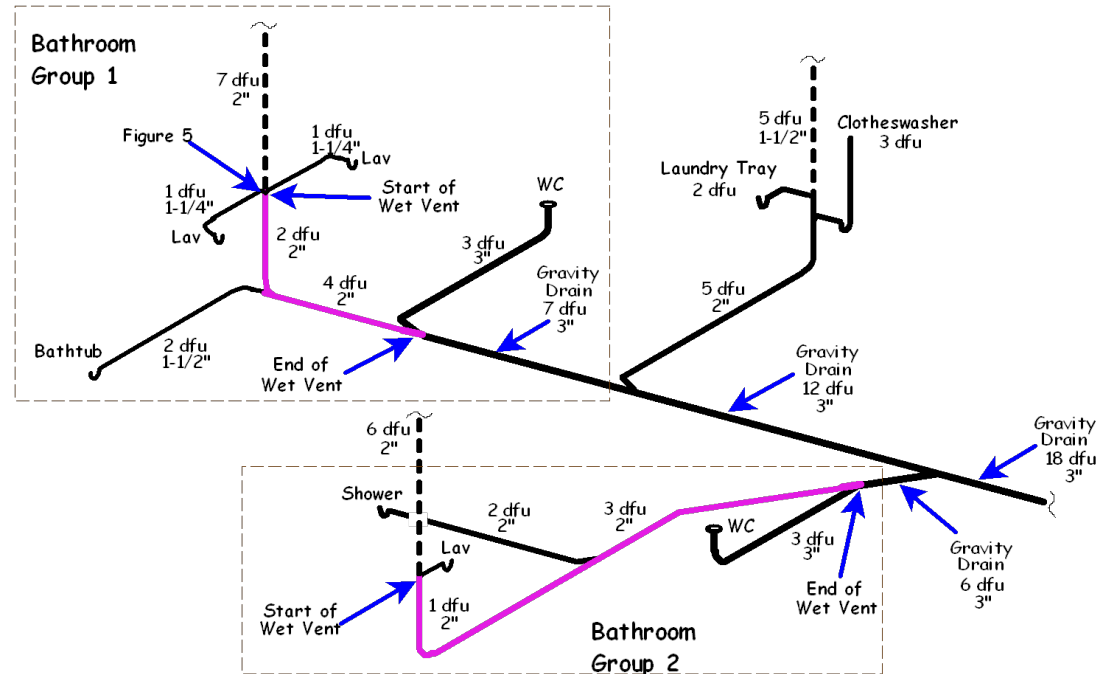


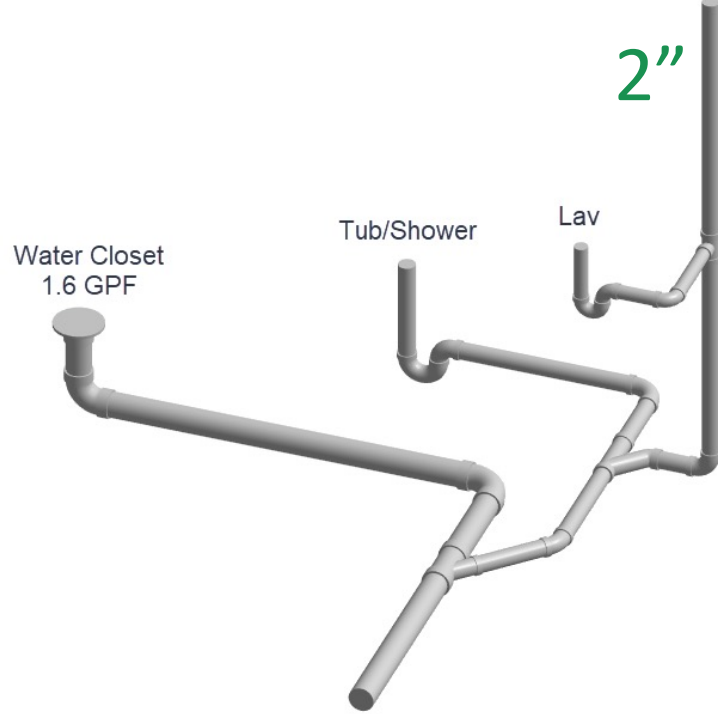
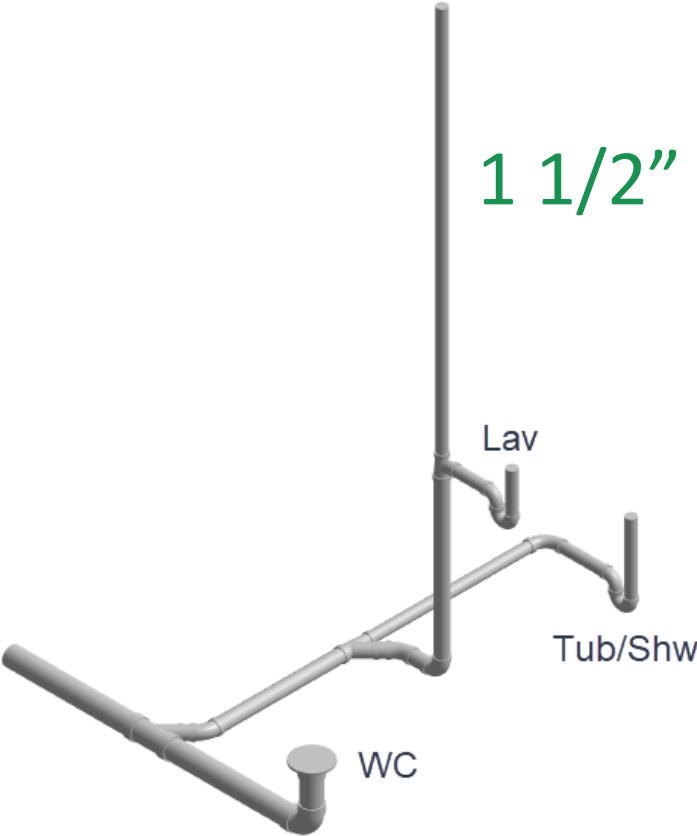
FIGURE 908.2A

Lateral Connections to the Horizontal Wet Vent



# H.W.V. - Vent Connection

## Horizontal Wet Vent

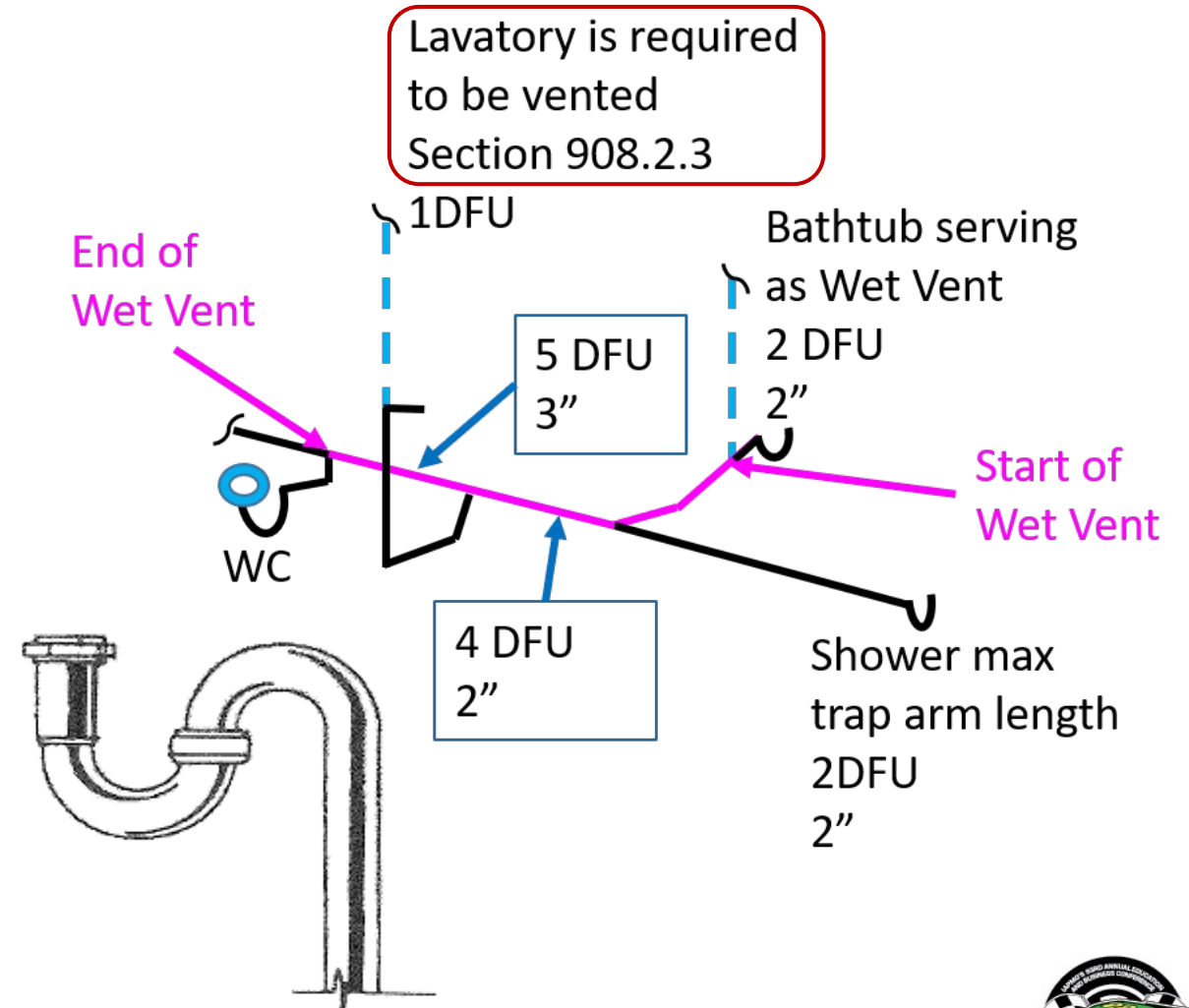




# Horizontal Wet Venting for a Bathroom Group

## 908.2.3 Trap Arm

The length of the trap arm shall not exceed the limits in Table 1002.2. The trap size shall be in accordance with Section 1003.3. The vent pipe opening from the horizontal wet vent, except for water closets and similar fixtures, shall not be below the weir of the trap.



# Horizontal Wet Venting for a Bathroom Group

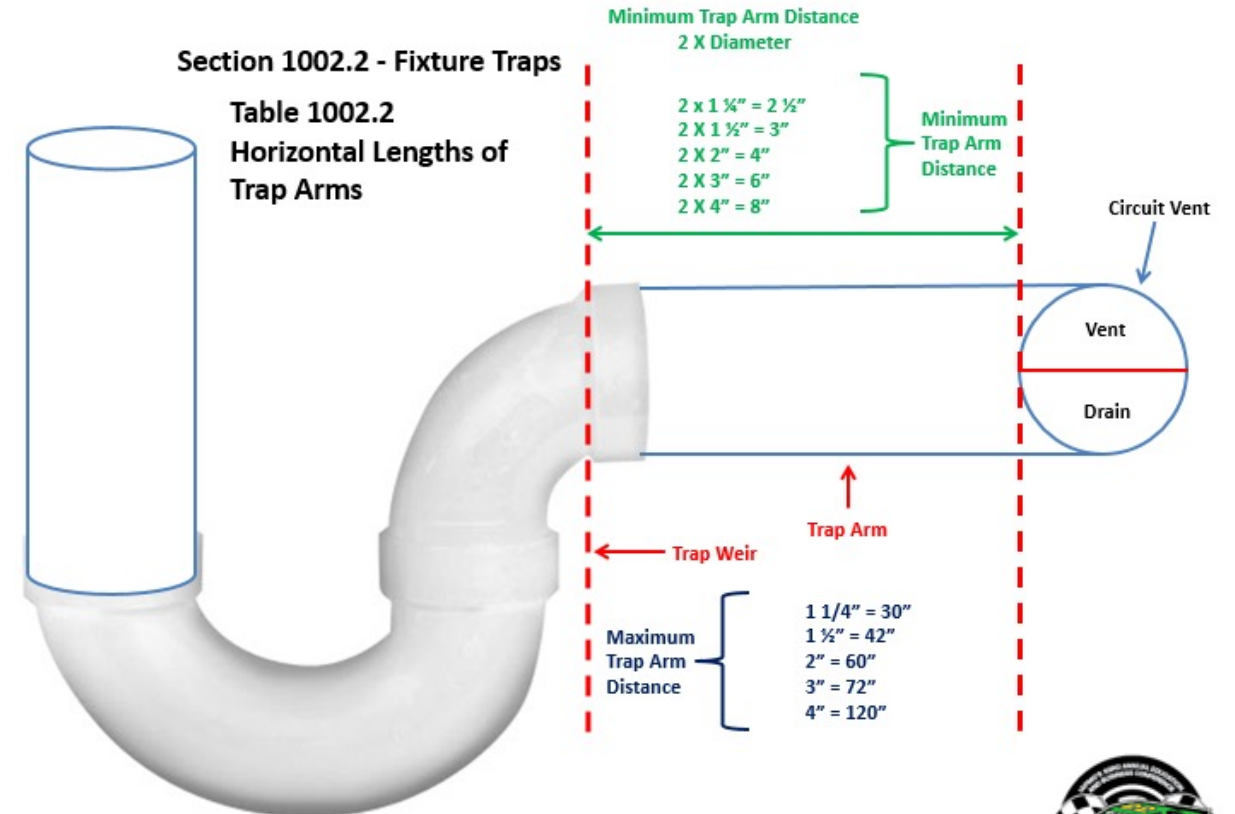
## 1003.3 Size

The size (nominal diameter) of a trap for a given fixture shall be sufficient to drain the fixture rapidly, but in no case less than nor more than one pipe size larger than given in Table 702.1. The trap shall be the same size as the trap arm to which it is connected.

PLUMBING APPLIANCES, APPURTENANCES, OR FIXTURES	MINIMUM SIZE TRAP AND TRAP ARM <sup>7</sup> (Inches)	PRIVATE
Bathtub or Combination Bath/Shower	1½	2.0

TABLE 1002.2  
HORIZONTAL LENGTHS OF TRAP ARMS  
(EXCEPT FOR WATER CLOSETS AND SIMILAR FIXTURES)<sup>1, 2</sup>

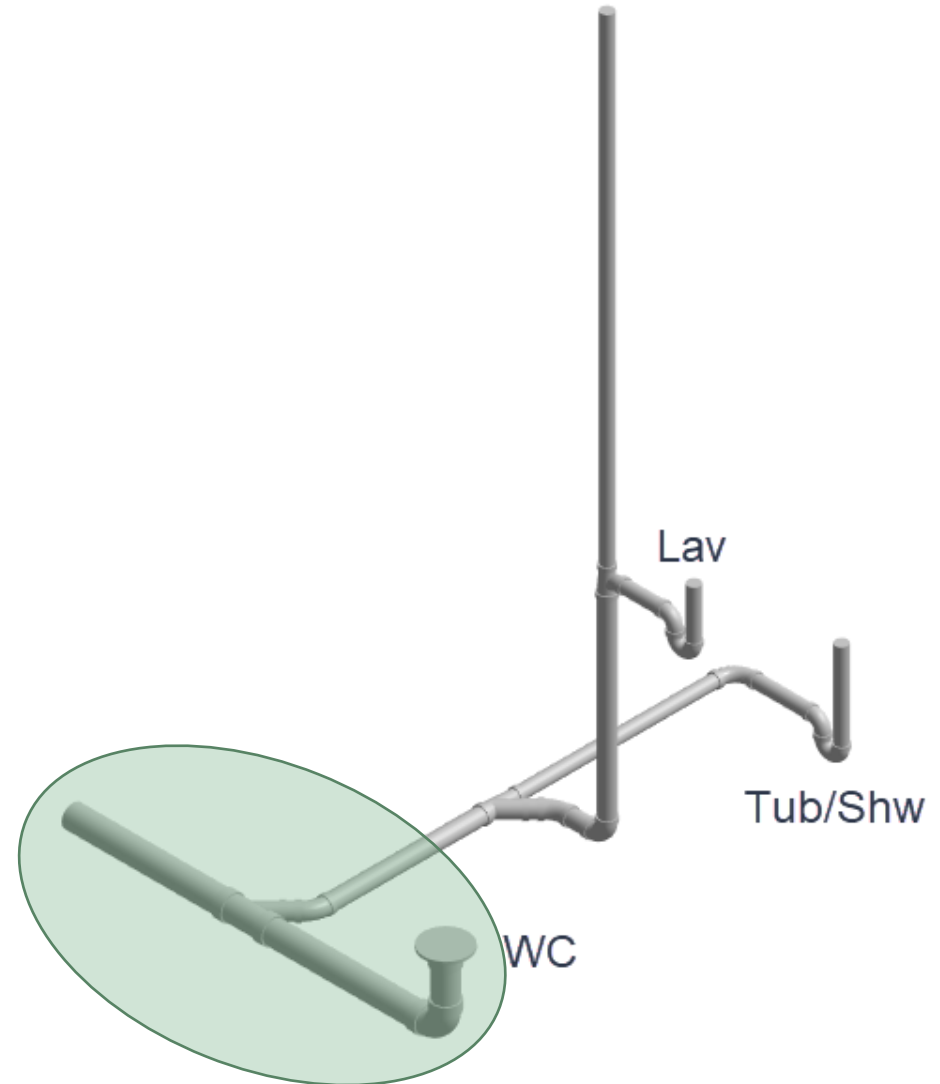
TRAP ARM PIPE DIAMETER (Inches)	DISTANCE TRAP TO VENT MINIMUM (Inches)	LENGTH MAXIMUM (Inches)
1¼	2½	30
1½	3	42
2	4	60
3	6	72
4	8	120
Exceeding 4	2 x Diameter	120



# Horizontal Wet Venting for a Bathroom Group

908.2.4

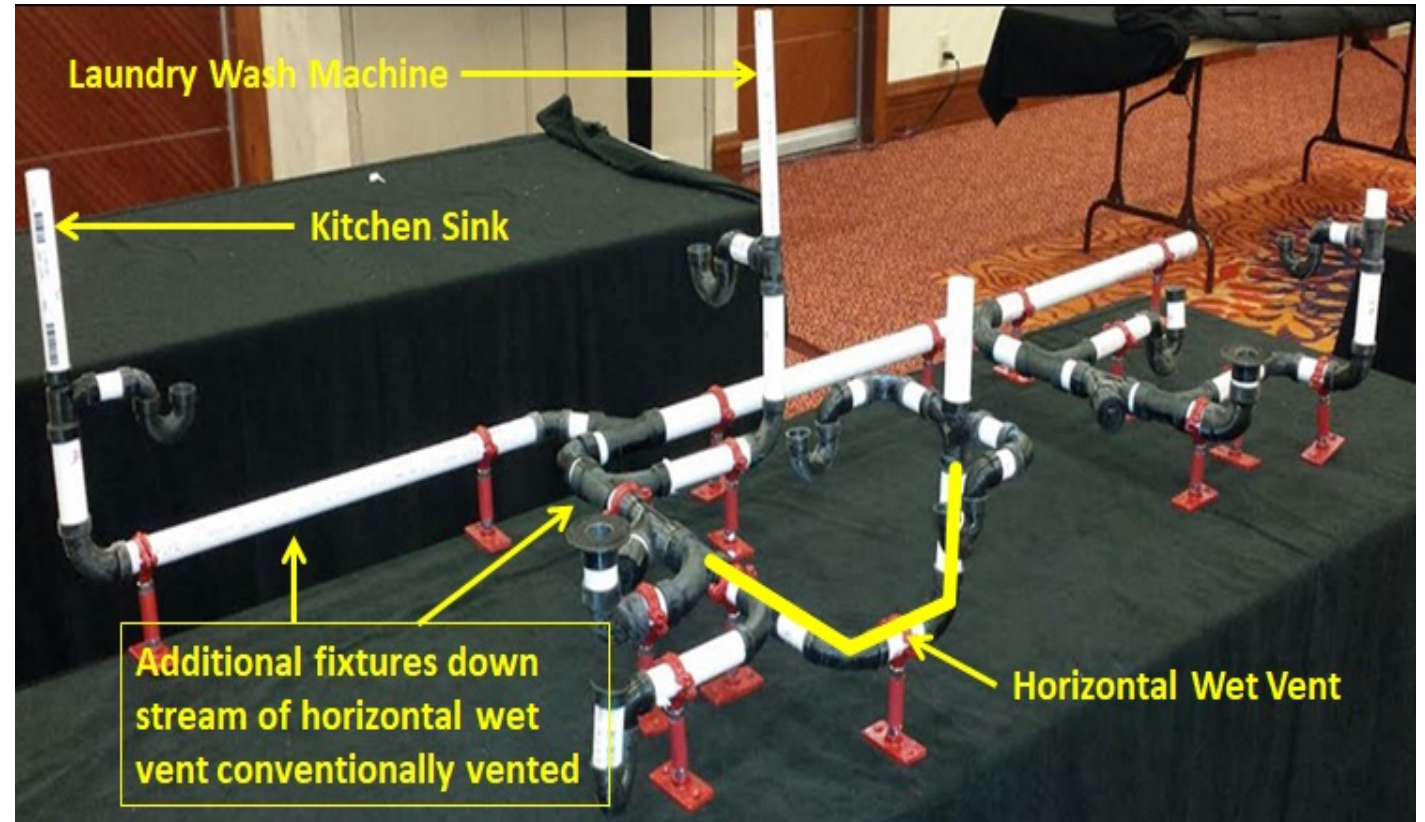
The water closet fixture drain or trap arm connection to the wet vent shall be downstream of fixture drain or trap arm connections to the horizontal wet vent.



# 908.2 Horizontal Wet Venting Bathroom Group

## 908.2.5 Additional fixtures

Additional fixtures shall discharge downstream of the wet vent system and be conventionally vented. Only the fixtures within the bathroom group shall connect to the wet-vented horizontal branch.



# CEU Certificates

CEU certificates will be available for download from [iapmolearn.org](http://iapmolearn.org) within seven business days. An account has been created for you at [iapmolearn.org](http://iapmolearn.org) if you have not already created one yourself, please reach out to [seminars@iapmo.org](mailto:seminars@iapmo.org) for your sign in credentials. Please allow 24 to 48 hours for a reply.



# QUESTIONS?

