

Errata for 2021 Uniform Plumbing Code Study Guide – 1st Printing

The following are changes that we found after the first printing of the *2021 Uniform Plumbing Code Study Guide*. These changes may apply to your guide. Thank you.

CHAPTER 4 – PLUMBING FIXTURES AND FIXTURE FITTINGS

Question 22 was removed. The question is no longer applicable to the 2021 UPC. The remainder of the questions were renumbered — Pages 19-21.

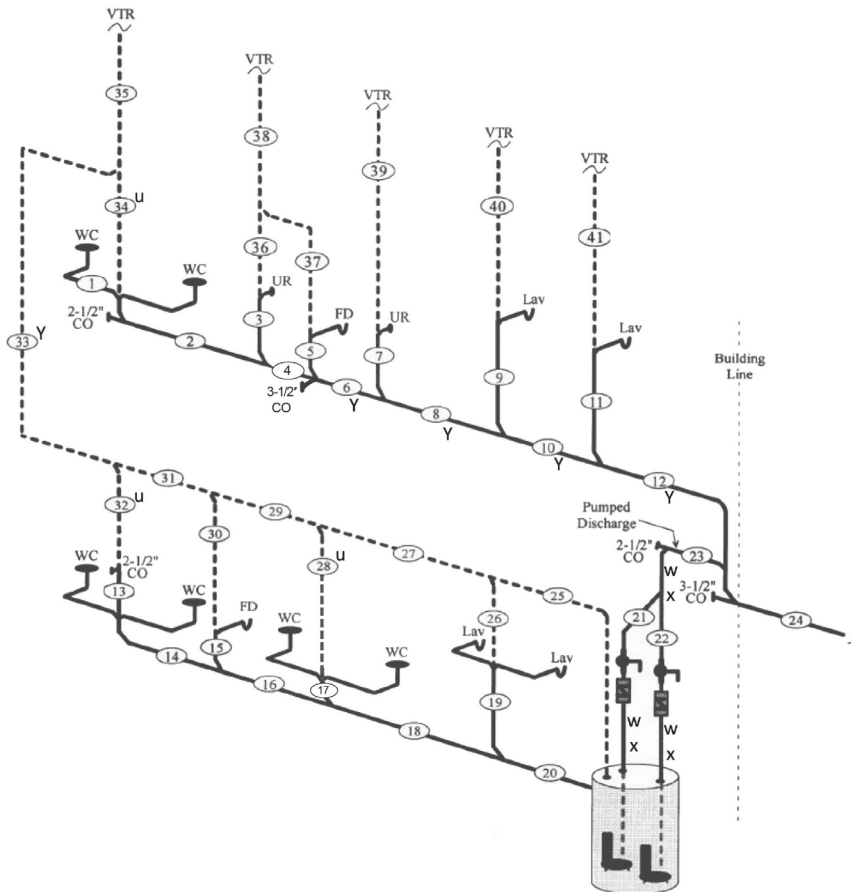
CHAPTER 7 – SANITARY DRAINAGE

Question 46 — Page 41
ASTM F2519 should be ASTM F2599.

Answer: Question 3 — Page 182
The Answer to Question 3 should be changed to 702.21(1).

TRADE EXAMINATIONS – DRAINAGE AND VENTING SYSTEMS: DRAWING

Drawing #3 — Page 141
In Drawing #3, Pipe Section 17 relocated and Pipe Section 28 corrected to indicate vent piping.
(New Drawing Shown Below)



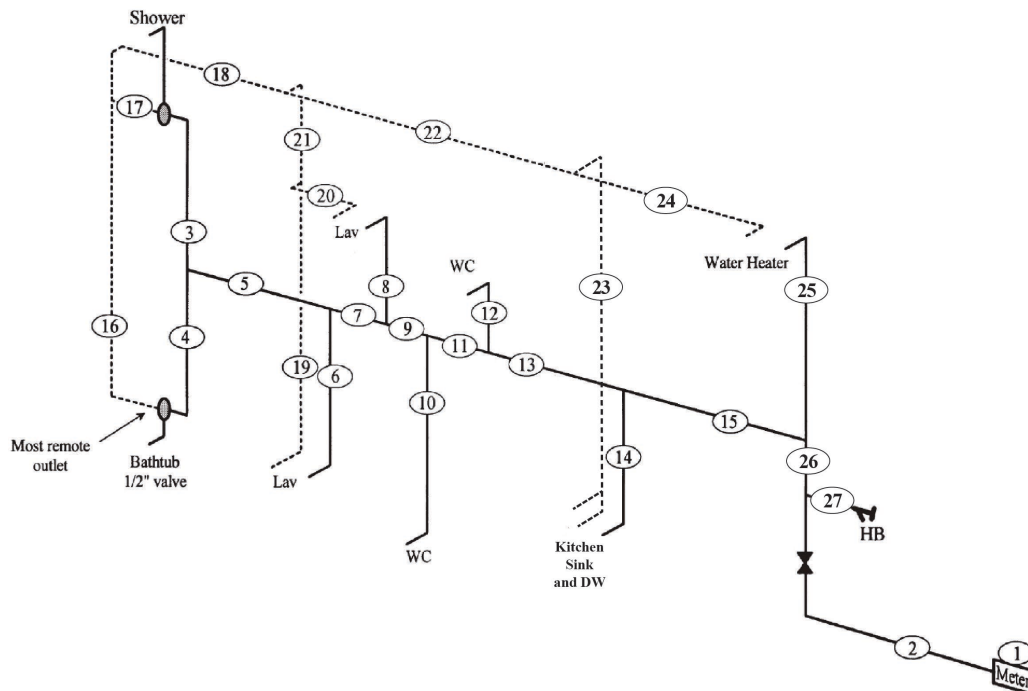
TRADE EXAMINATIONS – WATER PIPING SYSTEMS: DRAWING

Drawing #6 — Page 147

The following changes should be made to Drawing #6

- Delete the dashed line showing the pipe sections 23, 24 and 25.
- A new pipe section 23 (dashed line) is added.
- At the bottom of the new pipe section 23, there are to be two stub outs one above the other (one for the kitchen faucet, the other for the DW).
- Renumber the remaining pipe sections (~~26~~24, ~~27~~25, ~~28~~26, ~~29~~27).
- Delete rows 28 and 29 in the sizing table.

(New Drawing Shown Below)



TRADE EXAMINATIONS – DRAINAGE AND VENTING SYSTEMS: ANSWERS

Answer: Drawing 1 — Page 194

Pipe Section 17 should be 3"

Not all the numbers in the Pipe Size column have the inches symbol " .

Answer: Drawing 3 — Page 194

Pipe Section 17 should be 3"

TRADE EXAMINATIONS – WATER PIPING SYSTEMS: ANSWERS

Answer: Drawing #6 — Page 196

- Pipe Section 23 remains the same (no change)
- Pipe Section 24, 9.5 FU, 3/4" Size
- Pipe Section 25, 9.5 FU, 3/4" Size
- Pipe Section 26, 17 FU, 1" Size
- Pipe Section 27, 2.5 FU, 1/2" Size
- Pipe Sections 28 and 29 are deleted.

Answer: Drawing #7 — Page 196

All answers in the “Additional Hose Bibbs” row should be “1”

Demand from Table 610.3 in WSFU

| Fixture | Building Supply | | | Branches | |
|-----------------------|-----------------|-----|------------|---------------|--------------|
| | WSFU | QTY | Total WSFU | Cold FU @100% | Hot FU @100% |
| Additional Hose Bibbs | 1 | 1 | 1 | 1 | - |

The remainder of the answers in the Table are correct.

2/27/2023