

Errata for 2017 Uniform Illustrated Plumbing Code – India (1st Printing)

The following are changes that we found after the first printing of the *2017 Uniform Illustrated Plumbing Code–India*. These changes may apply to your code book. Thank you.

SECTION 610.3 (PARAGRAPH 3) AND FIGURE 610.3A

Section 610.3 Paragraph 3

Add a new sentence at the end of paragraph 3 to include a reference to Figure 610.3a.

3... This method will provide benefits only if it is a large system. It could allow for a reduction in branch sizing, which could also save cost and water usage. See Figure 610.3a for an example of the 75 percent method of sizing branches.

Figure 610.3a

Add missing Figure 610.3a.

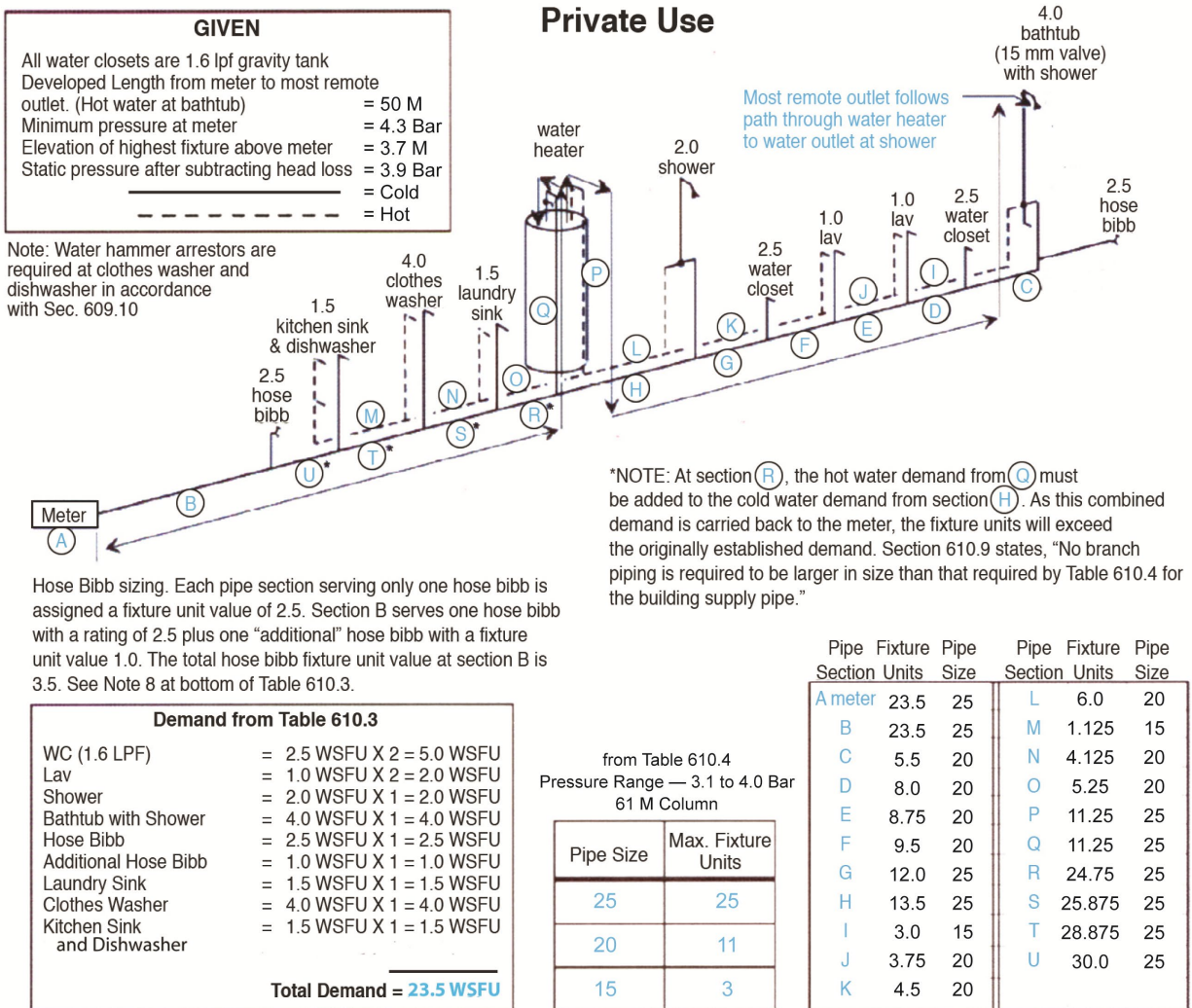


Figure 610.3a
Sizing Example 1 Using the 75% Method

SECTION 610.3 (PARAGRAPH 8) AND FIGURE 610.3B

Section 610.3 Paragraph 8

Update the last sentence in paragraph 8 to change Figure 610.3 to Figure 610.3b.

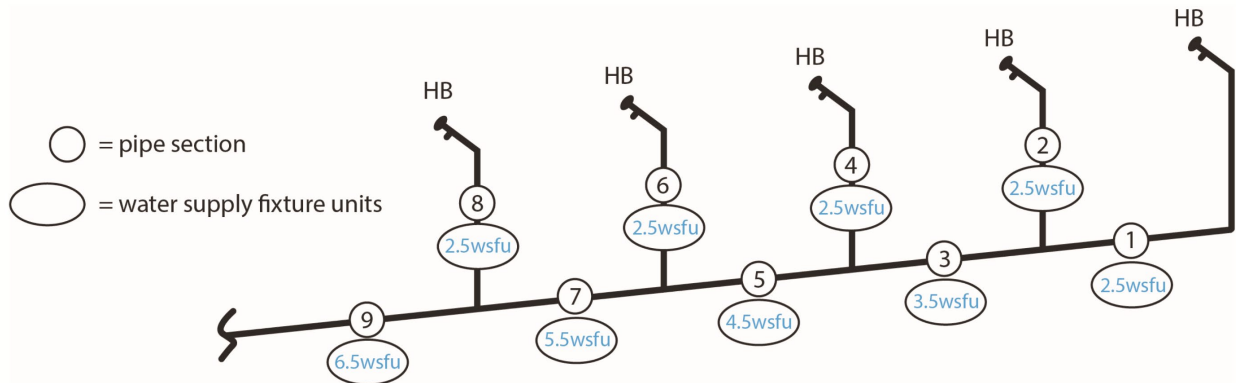
8.If there is one hose bibb on a branch, it is assigned 2.5 WsFU (see **Figure 610.3b**).

Figure 610.3b

Replace the current Hose Bibb Sizing language, Figure 610.3 and Sizing Notes with the updated text and Figure 610.3b below.

Hose Bibb Sizing

Table 610.3 contains a listing for "Hose Bibb, each Additional" with a reduced fixture unit value of 1.0. This reduced fixture unit value is assigned only to pipe sections serving more than one hose bibb, hence the term "additional." Each pipe section serving a single hose bibb is assigned a fixture unit value of 2.5. A pipe section serving two or more hose bibbs would be assigned a fixture unit of 2.5 for the first hose bibb plus 1 fixture unit for each additional hose bibb. The method accounts for the fact that multiple hose bibbs are seldom used at the same time in the same building. Please see the illustration and explanation below.



Sizing Notes

- 1) Pipe sections 1, 2, 4, 6, and 8 serve one hose bibb. Each of these sections is assigned a water supply fixture unit value of 2.5
- 2) Pipe section 3 serves one hose bibb (2.5 w.s.f.u.) + one "additional" hose bibb (1.0.f.u.) for a total of 3.5 water supply fixture until.
- 3) Pipe section 5 serves one hose bibb (2.5 w.s.f.u.) + two "additional" hose bibb (2.0.f.u.) for a total of 4.5 water supply fixture until.
- 4) Pipe section 7 serves one hose bibb (2.5 w.s.f.u.) + three "additional" hose bibb (3.0.f.u.) for a total of 5.5 water supply fixture until.
- 5) Pipe section 9 serves one hose bibb (2.5 w.s.f.u.) + four "additional" hose bibb (4.0.f.u.) for a total of 6.5 water supply fixture until.

Figure 610.3b
Hose Bibb Sizing Using Note 8 from Table 610.3

FIGURE 908.1A

Change the developed length from 150 mm to 1.8 m and correct the spelling of the word "length."

Corrected image follows:

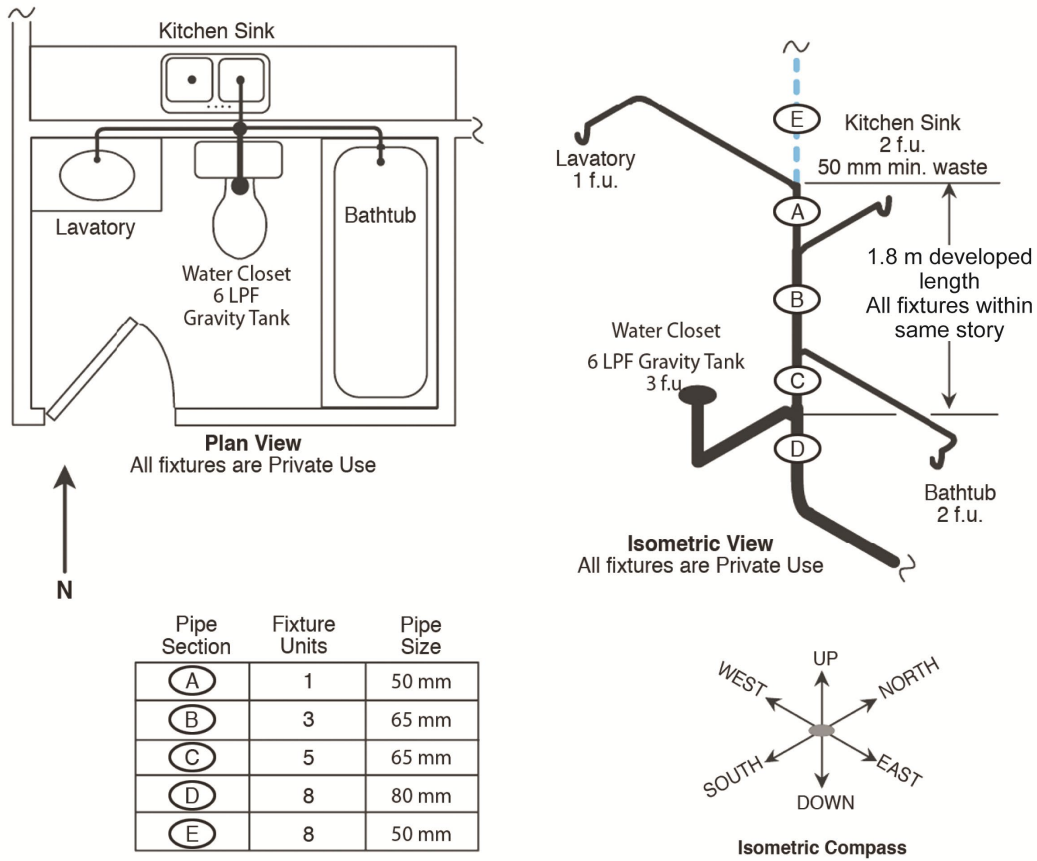


Figure 908.1a
Wet Vent Sizing Example 1

TABLE 1101.10

Change the headings in Table 1101.10 as shown in the image at right. The corrected Table is below.

Size of Drain, Leader or Pipe, Flow	FLOW
mm	L/s

TABLE 1101.10 Sizing Roof Drains, Leaders, and Vertical Rainwater Piping ^{2,3}													
Size of Drain, Leader or Pipe	Flow	Maximum Allowable Horizontal Projected Roof Areas in Square Meters at Various Rainfall Rates											
		25mm/h	50mm/h	75mm/h	100mm/h	125mm/h	150mm/h	175mm/h	200mm/h	225mm/h	250mm/h	275mm/h	300mm/h
50	1.2	267.6	133.8	89.2	66.9	53.4	44.6	38.1	33.4	29.7	26.9	24.2	22.3
80	5.8	817.5	408.8	272.2	204.4	163.5	136.6	117.1	102.2	91.0	81.8	74.3	67.8
100	12.1	1,709.4	854.7	569.5	427.3	341.8	285.2	244.3	213.7	190.0	170.9	155.6	142.1
125	22.7	3,214.3	1,607.2	1,071.1	803.6	642.9	535.6	459.4	401.8	357.2	321.4	292.2	267.6
150	35.5	5,016.6	2,508.3	1,671.7	1,254.2	1,003.3	836.1	716.7	627.1	557.4	501.7	456.1	418.1
200	76.2	10,776.4	5,388.2	3,591.5	2,694.1	2,155.3	1,794.4	1,539.4	1,347.1	1,197.5	1,077.6	979.6	897.4

Notes:
 1 Maximum discharge capacity, L/s with approximately 44 mm head of water at the drain.
 2 For rainfall rates other than those listed, determine the allowable roof area by dividing the area given in the 25 mm/hour column by the desired rainfall rate.
 3 Vertical piping may be round, square, or rectangular. Square pipe shall be sized to enclose its equivalent round pipe. Rectangular pipe shall have not less than the same cross-sectional area as its equivalent round pipe, except that the ratio of its side dimensions shall not exceed 3 to 1.